

PLEASE CHECK WWW.MOLEX.COM FOR LATEST PART INFORMATION

Part Number: [0905842324](#)
Status: **Active**
Description: 1.27mm (.050") Pitch Picoflex® PF-50 IDT Receptacle, Low Profile, Board-In, 24 Circuits

Documents:

[3D Model](#) [Product Specification PS-99020-0011 \(PDF\)](#)
[Drawing \(PDF\)](#) [RoHS Certificate of Compliance \(PDF\)](#)
[Product Specification ES-99033-0002 \(PDF\)](#)

General

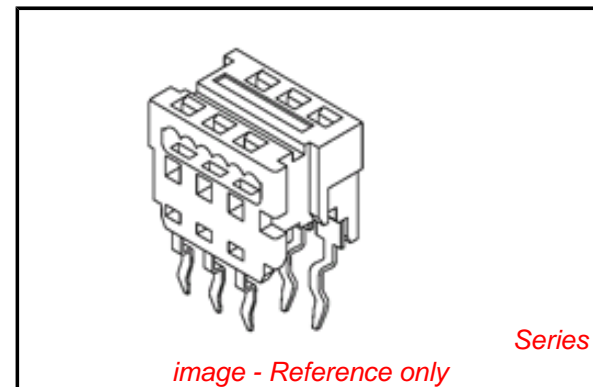
Product Family Ribbon Cable / Wire Trap Connectors
 Series [90584](#)
 Comments Low Profile
 Component Type One Piece
 Glow-Wire Compliant No
 Product Name Board-In, Picoflex®

Physical

Circuits (Loaded) 24
 Circuits (maximum) 24
 Color - Resin Natural
 Durability (mating cycles max) 30
 Entry Angle 90° Angle
 Lock to Mating Part None
 Material - Metal Phosphor Bronze
 Material - Plating Mating Tin
 Material - Plating Termination Tin
 Material - Resin Polyester
 Number of Rows 2
 PCB Locator No
 PCB Retention Yes
 PCB Thickness Recommended (in) 0.062 In
 PCB Thickness Recommended (mm) 1.60 mm
 Packaging Type Tube - Stacked
 Pitch - Mating Interface (in) 0.050 In
 Pitch - Mating Interface (mm) 1.27 mm
 Plating min: Mating (µin) 80.00
 Plating min: Mating (µm) 2.00
 Plating min: Termination (µin) 80.00
 Plating min: Termination (µm) 2.00
 Polarized to Mating Part Yes
 Polarized to PCB No
 Shrouded Fully
 Stackable No
 Surface Mount Compatible (SMC) No
 Temperature Range - Operating -40°C to +105°C
 Termination Interface: Style Through Hole - Kinked Pin
 Wire Insulation Diameter 1.00mm (.039") max.
 Wire Size AWG 26, 28
 Wire/Cable Type Ribbon Cable

Electrical

Current - Maximum per Contact 1.2A
 Voltage - Maximum 250V



EU RoHS

ELV and RoHS Compliant

REACH SVHC

Contains SVHC: No

Halogen-Free

Status

Not Reviewed

China RoHS



Need more information on product environmental compliance?

Email productcompliance@molex.com
 For a multiple part number RoHS Certificate of Compliance, [click here](#)

Please visit the [Contact Us](#) section for any non-product compliance questions.

Search Parts in this Series

[90584Series](#)

Application Tooling | [FAQ](#)

Tooling specifications and manuals are found by selecting the products below. Crimp Height Specifications are then contained in the Application Tooling Specification document.

Global

Description	Product #
Arbor Press Fixture	0690201902

Material Info

Reference - Drawing Numbers

Product Specification

Sales Drawing

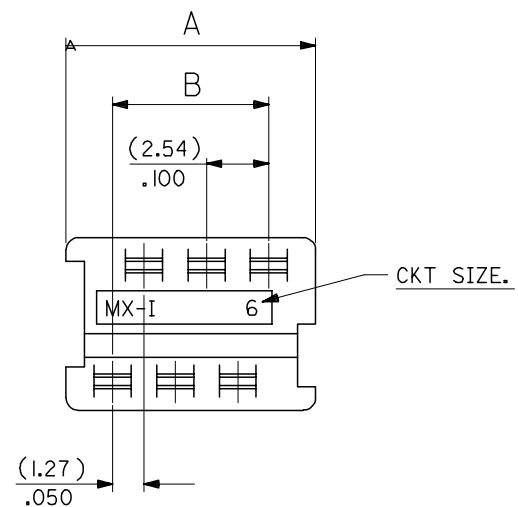
ES-99033-0002, PS-99020-0011

SDA-90584

This document was generated on 03/16/2010

PLEASE CHECK WWW.MOLEX.COM FOR LATEST PART INFORMATION

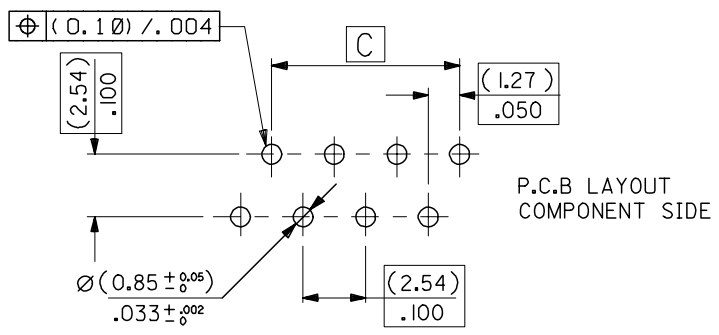
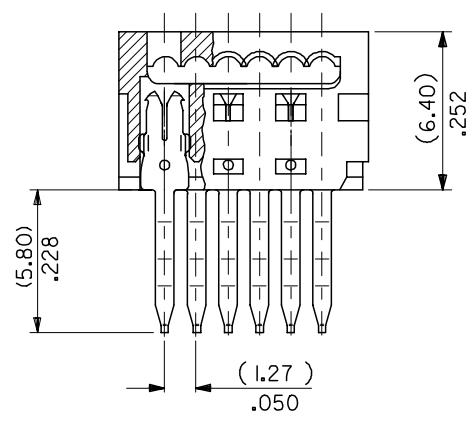
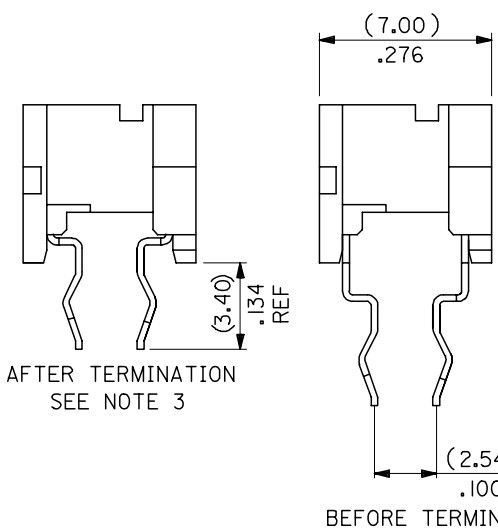
90584	***26	26	(35.53)/1.399	(31.75)/1.250	(30.48)/1.200	14	98	7
	***24	24	(32.99)/1.299	(29.21)/1.150	(27.94)/1.100	15	105	
	***22	22	(30.45)/1.199	(26.67)/1.050	(25.40)/1.000	16	112	
	***20	20	(27.91)/1.099	(24.13)/.950	(22.86)/.900	18	126	
	***18	18	(25.37)/.999	(21.59)/.850	(20.32)/.800	20	140	
	***16	16	(22.83)/.899	(19.05)/.750	(17.78)/.700	23	161	
	***14	14	(20.29)/.799	(16.51)/.650	(15.24)/.600	26	182	
	***12	12	(17.75)/.699	(13.97)/.550	(12.70)/.500	30	210	
	***10	10	(15.21)/.599	(11.43)/.450	(10.16)/.400	34	238	
	***08	8	(12.67)/.499	(8.89)/.350	(7.62)/.300	42	294	
	***06	6	(10.13)/.399	(6.35)/.250	(5.08)/.200	54	378	
90584	***04	4	(7.59)/.299	(3.81)/.150	(2.54)/.100	70	490	7
PART NO.	CCT SIZE	DIMENSION A	DIMENSION B	DIMENSION C	TUBE QTY	STACK QTY	TUBES PER STACK	



HOUSING
MATL. POLYESTER, RATED UL 94V-0, COLOUR WHITE.

IDT CONTACT
MATL : PHOSPHOR BRONZE (0.28)/.011 REF THICK.
PLATING : (2-4um) / 80-160u" TIN

- NOTES:**
1. APPL. CLASS TO DIN 40040 HME (-25°C/+100°C)
 2. SEE PRODUCT SPECIFICATION PS-99020-0011
 3. WIRE TERMINATION SPEC : ES-99033-0002
- 90584- * * * *
04 TO 26 = CKT SIZE.
3= NO CIRCUITS VOIDED.
4= CIRCUITS 4 & 5 VOIDED.
1= INDIVIDUAL TUBED ASSY
2= STACKED TUBED ASSY - SEE SHEET 2
9= NON STANDARD OPTION - SEE SHEET 3



ADD VOIDED OPTION EC NO: E2005-1027 DRAWN: GMSWEN 2005/05/10 CHKD: DMORLARTY 2005/05/10 APPR: J DENNEY 2005/05/26	QUALITY SYMBOLS ▽=0 ▽=0	GENERAL TOLERANCES (UNLESS SPECIFIED)		DIMENSION STYLE MM/IN	SCALE 5:1	DESIGN UNITS METRIC	THIRD ANGLE PROJECTION
		4 PLACES ± --- ± ---	3 PLACES ± --- ± ---	2 PLACES ± 0.10 ± ---	1 PLACE ± 0.20 ± ---	ANGULAR ± 1/2°	DRAWN BY DMCNAMAR 2003/09/01
M	REV	DRAFT WHERE APPLICABLE MUST REMAIN WITHIN DIMENSIONS		SEE CHART	APPROVED BY MWILHITE 2003/09/01	DATE 2003/09/01	MOLEX INCORPORATED
		SIZE A3	THIS DRAWING CONTAINS INFORMATION THAT IS PROPRIETARY TO MOLEX INCORPORATED AND SHOULD NOT BE USED WITHOUT WRITTEN PERMISSION		MATERIAL NO.	DOCUMENT NO. SDA-90584	SHEET NO. 1 OF 3

10 9 8 7 6 5 4 3 2 1

F F

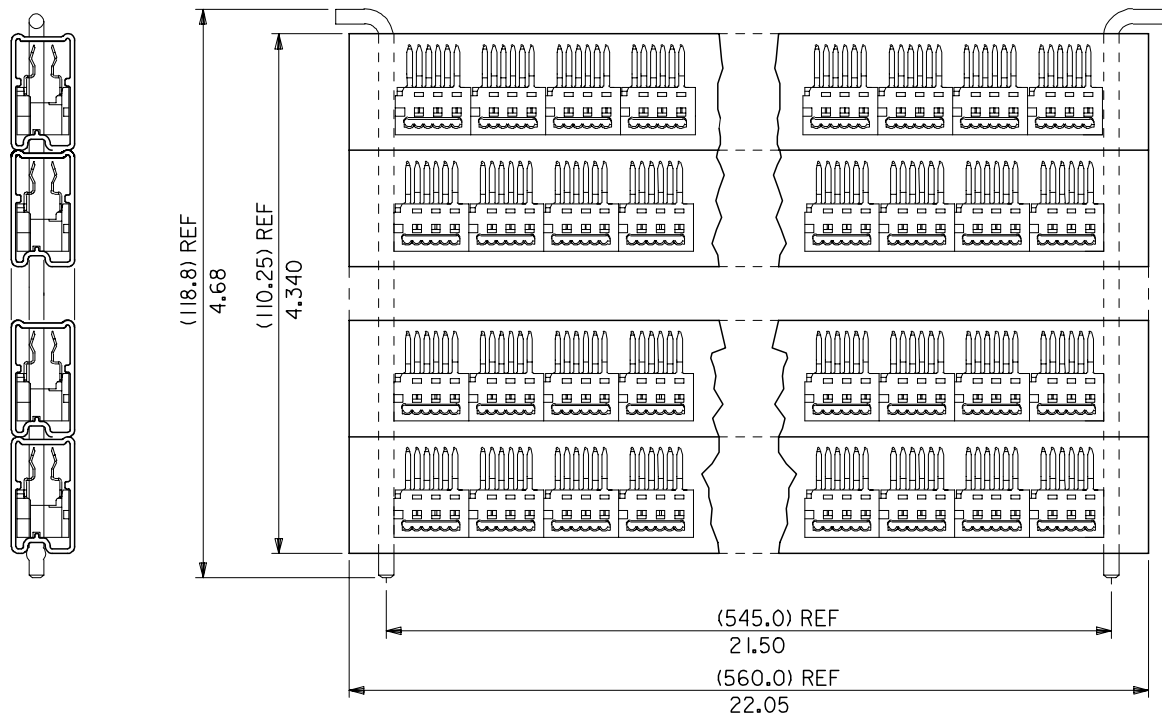
E E

D D

C C

B B

A A



STACKED TUBED ASSEMBLY

REVISION UPDATE EC NO: E2005-1027 DRAWN:GMSWEEN 2005/05/10 CHKD:DMORIARTY 2005/05/10 APPR: JDENNEHY 2005/05/26	QUALITY SYMBOLS ▽=0 ▽=0	GENERAL TOLERANCES (UNLESS SPECIFIED)		DIMENSION STYLE	SCALE	DESIGN UNITS	THIRD ANGLE PROJECTION	
				MM/IN	NTS	METRIC		
				mm	INCH	DRAWN BY	DATE	TITLE
		4 PLACES	± ---	± ---	± ---	PW	1994/02/25	1.27MM PF LOW PRO IDT BOARD-IN CONNECTOR
3 PLACES	± ---	± .010		CHECKED BY	DATE			
2 PLACES	± 0.25	± ---		DMORIARTY	2005/05/06			
1 PLACE	± ---	± ---		APPROVED BY	DATE			
		ANGULAR ± 2 °		JDENNEHY	2005/05/10	MOLEX INCORPORATED		
		DRAFT WHERE APPLICABLE MUST REMAIN WITHIN DIMENSIONS		MATERIAL NO.		DOCUMENT NO.	SHEET NO.	
				SEE SHEET 1		SDA-90584	2 OF 3	
				THIS DRAWING CONTAINS INFORMATION THAT IS PROPRIETARY TO MOLEX INCORPORATED AND SHOULD NOT BE USED WITHOUT WRITTEN PERMISSION				

9 8 7 6 5 4 3 2 1